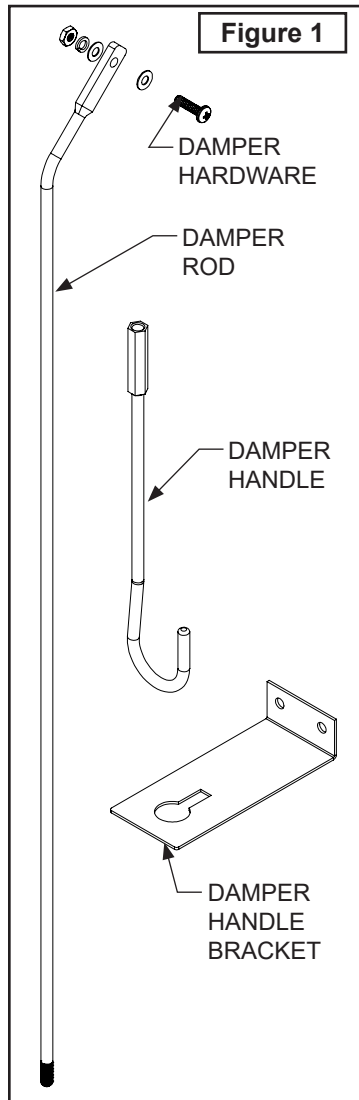


MASON-LITE

by MFI • Masonry Fireplace Industries, Inc.

MC14-AP Masonry Chimney Anchor Plate with Damper Installation Instructions

All indoor chimney systems must be installed with an integrated Damper System/Anchor Plate installed on or in the fireplace. Installers are cautioned to put the chimney system together exactly as instructed and shown in chimney manufacturer's guide. Any variations may have serious consequences resulting in an accident or malfunction. If instructions are not followed, the warranty on the product will become null and void.



1. Assemble Damper Handle mechanism to Damper Blade as shown in Fig.2.
2. Apply a 1/4" bead of gasket cement around the base of the Anchor Plate as shown in Figure 3. Install damper assembly on top of unit pressing damper into cement.
3. Secure with eight 1/4" x 1-1/4" masonry fastener as shown in Figure 4.
4. Attach Damper Handle Bracket as shown in Figure 5. Test position by closing damper and locking damper handle in keyhole. Using holes in bracket as template, pre-drill holes to avoid cracking.
5. Test damper blade to make sure that it moves freely. When Damper is in the closed position Damper Handle should hold in place when positioned in key slot, and fall open when removed from the hook. Once secure and tested, you may start adding the Mason-Lite Masonry Chimney pieces

per the Masonry Chimney Instructions.

Note that the most important aspect of the installation is maintaining the minimum required clearances to combustible materials according to the chimney pipe manufacturer's recommendations, otherwise a potential fire hazard may occur.

Warning: Do not interchange chimney manufacturer's parts with any other parts except those specifically required by the chimney manufacturer's recommendations otherwise a potential hazardous condition may be created.

