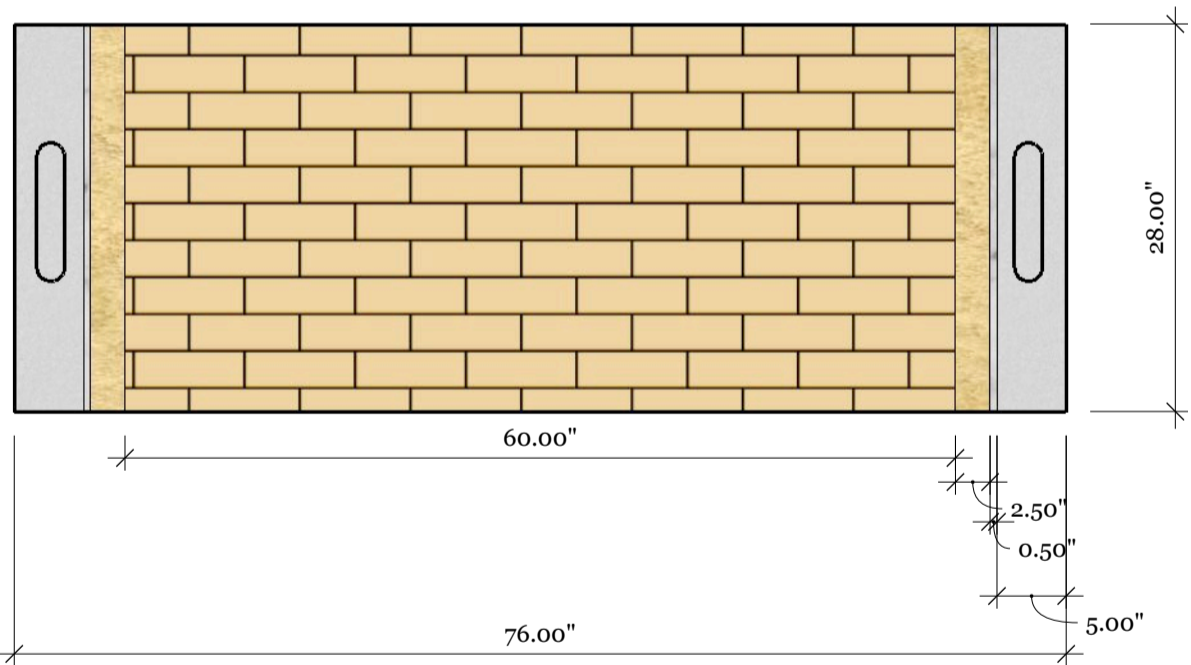
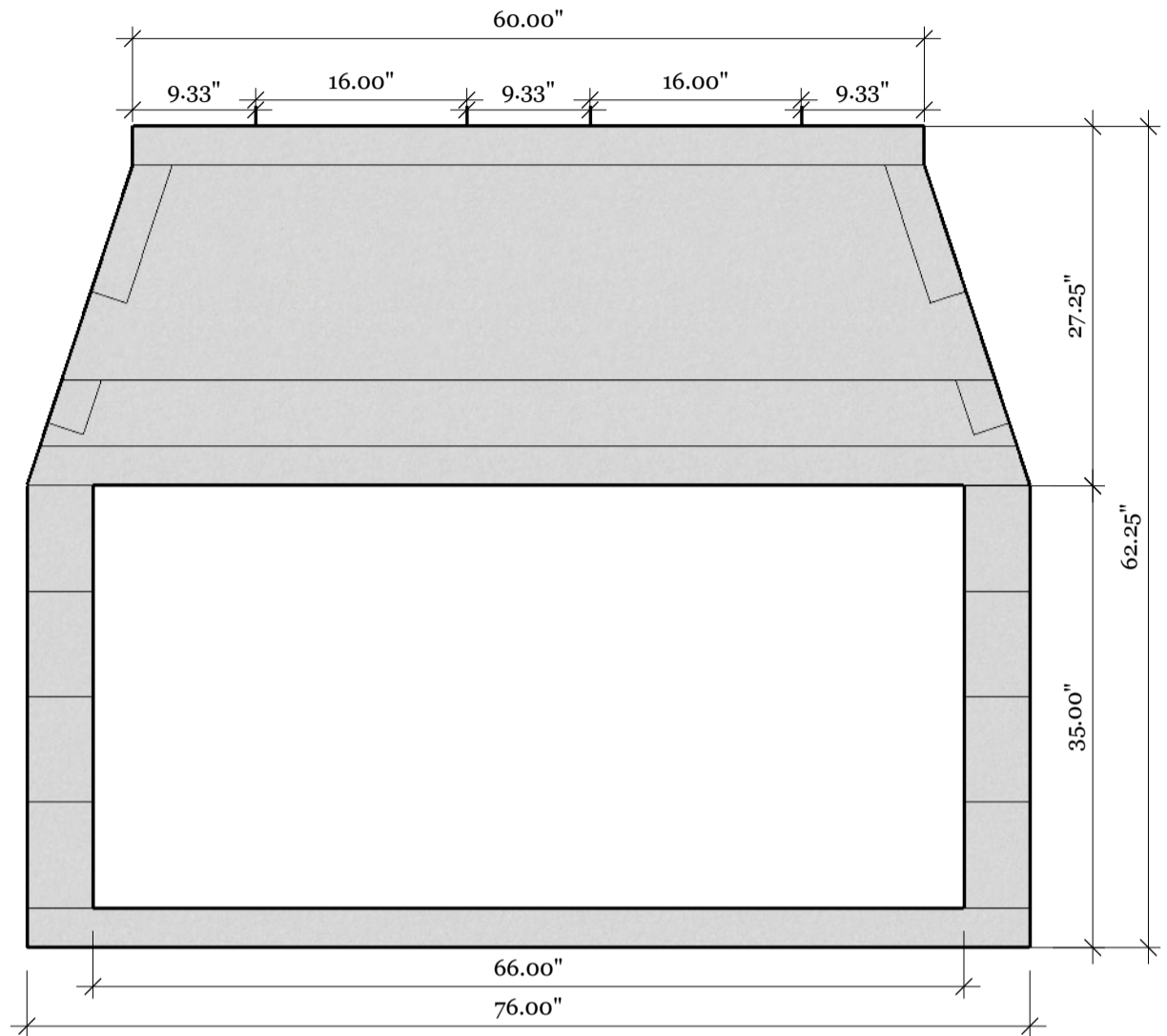
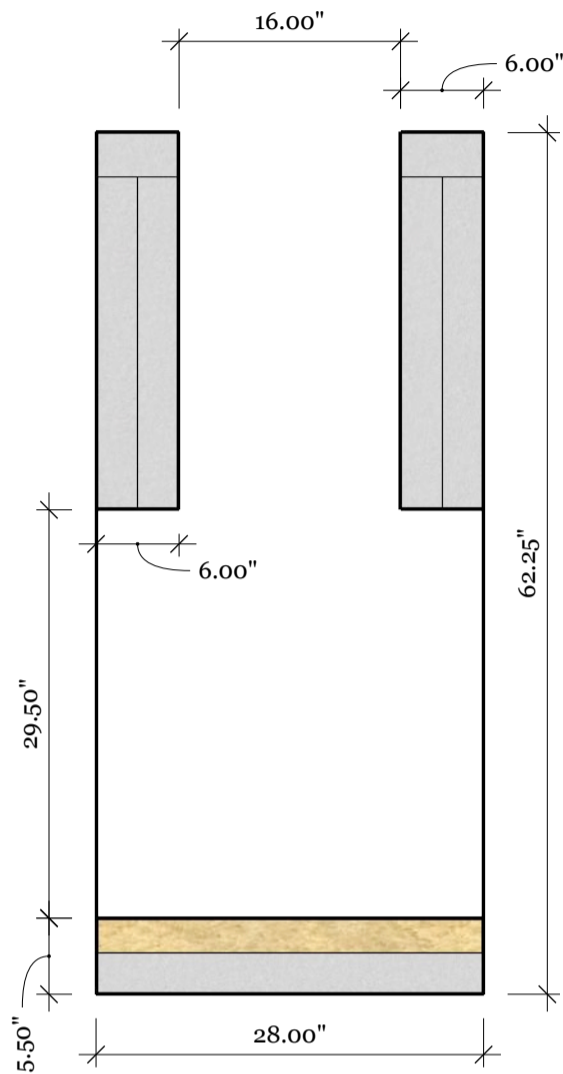


# MASON-LITE

by MFI • Masonry Fireplace Industries, Inc



Note: This unit is 100% custom and is to be built to the masonry code NFPA 211. Fireplace Accessories do not have a UL Listing which may be required by your building department. Before placing an order, contact your local building department for applicable federal, state, and local laws and regulations required for installation. This drawing may not be drawn to scale. The dimensions of this unit have been calculated to include space for 1/16" mortar joints between Mason-Lite pieces. (Larger mortar joints will cause inconsistent dimensions). Firebrick panels are not available for these units, 2 1/2 inch firebrick with a 1/2" fire mortar joint is required for these units. We do not supply the angle iron for lintel support required with these units, see [www.mason-lite.com/custominstallation](http://www.mason-lite.com/custominstallation) for lintel options and more installation recommendations. Structural Engineering may be required, please check with local SE on the project to ensure appropriate structural support. Any See Through, Multi-sided, or oversized units we recommend the use of an exhaust fan to insure a proper draft. Custom fireplaces may require more outside air than is available through the unit, we do not calculate nor provide additional outside air unless otherwise stated. Outside air kits are sold separately. This fireplace is non-refundable and requires a 50% deposit on order and 50% upon shipment. Please sign and return a copy of this drawing when submitting your order. The quoted price will be valid for 6 months from the day it was quoted.

### Clearances to Combustibles

|                                    |        |
|------------------------------------|--------|
| Unit Sides                         | 2"     |
| Unit Rear                          | N/A    |
| Dome Sides and Rear                | 2"     |
| Sheathing Above Opening            | 29.25" |
| Combustible Floors                 | N/A    |
| Sheathing or Trim to Opening Sides | 8"     |

By \_\_\_\_\_ Date \_\_\_\_\_

|               |                  |
|---------------|------------------|
| CQ Number     | Rev. Date        |
| <b>CQ5400</b> | <b>06/3/2022</b> |