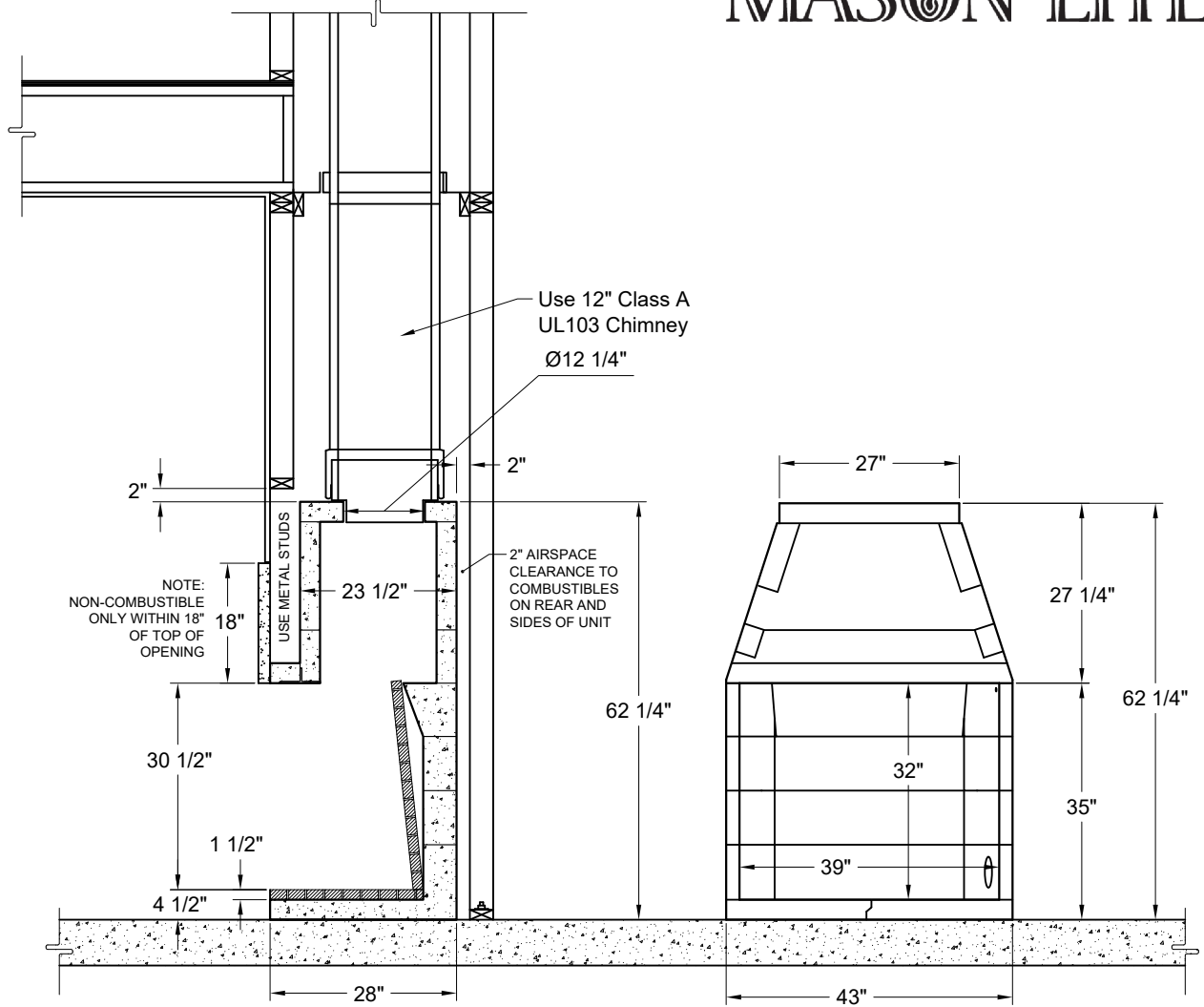
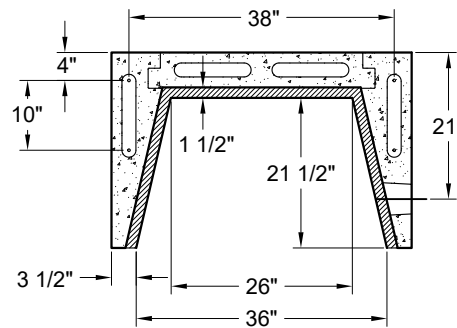


MASON-LITE



SECTION



PLAN

OTHER DIMENSIONS

Framing Width	47"
Framing Height	64 1/4"
Framing Depth	30"
Floor Area (37 x 28)	8.36 sf
Fireplace Weight	1,371 lbs
Mortar and Rebar	67 lbs
Ready Mix	200 lbs
Flue Size - Class A	Ø12"
Metal Chimney Weight per foot	10 lbs

ACCESSORIES

Herringbone Brick Liner	MFP39-SHBL	430 lbs
Full Running Bond Brick Liner	MFP39-FRBL	430 lbs
Split Running Bond Brick Liner	MFP39-SRBL	430 lbs
Structural Metal Base Kit - 6"	MFPB39	61 lbs
Anchor Plate w/Damper Ø12"	12DCA-ADP	27 lbs
Ø4" Combustion Air Kit	MFP4-AK	14 lbs
Masonry Arch	MFP-ARC	20 lbs

TITLE:

MFP39

DWG. NUMBER

RELEASE DATE

REV. DATE

S005

01/29/07

1/5/21