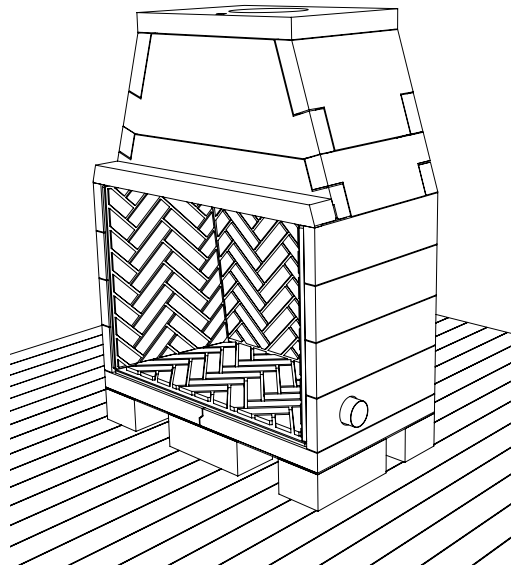


# MASON-LITE

by MFI • Masonry Fireplace Industries, LLC

## Instructions for Installing CMU Blocks for Mason-Lite® Fireplaces



**NOTE:** This installation is intended for fireplaces built in non-seismic areas. No rebar is required.

### **▲ WARNING:**

IMPROPER INSTALLATION, ADJUSTMENT, ALTERATION, SERVICE OR MAINTENANCE CAN CAUSE INJURY, PROPERTY DAMAGE OR LOSS OF LIFE.

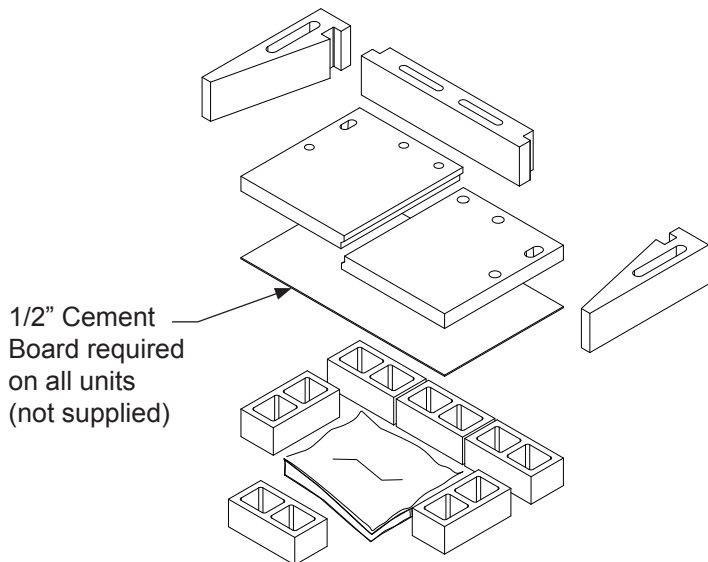
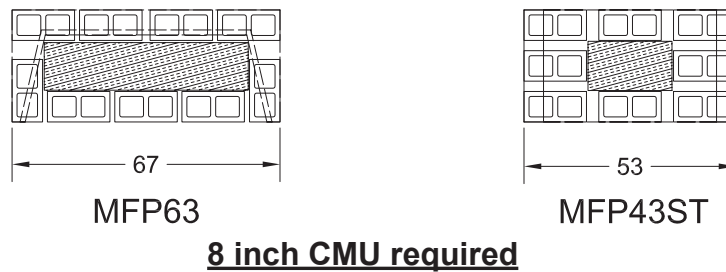
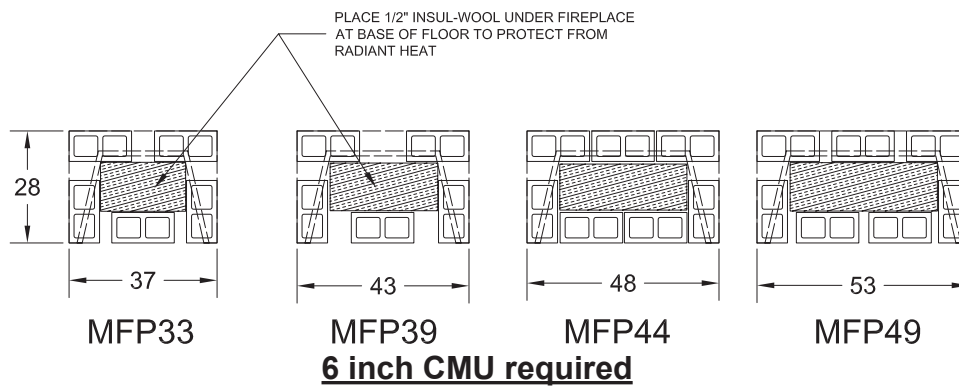
REFER TO THIS AND YOUR FIREPLACE MANUAL. FOR ASSISTANCE OR ADDITIONAL INFORMATION, CONSULT A QUALIFIED INSTALLER OR LOCAL DISTRIBUTOR.

**IMPORTANT:** CONSULT YOUR LOCAL CODES PRIOR TO INSTALLING. THIS INSTRUCTION GUIDE IS INTENDED FOR THE INSTALLATION OF ASTM C 90 CMU BLOCKS.



We recommend that our gas hearth products be installed and serviced by professionals who are certified in the U.S. by the National Fireplace Institute® (NFI) as NFI Gas Specialists.

Do not store gasoline or other flammable vapors and liquids in the vicinity of this or any other appliance.



### Preparing your fireplace for CMU barrier on Combustible Flooring

1. After determining the location of your fireplace, lay out your CMU blocks per the diagram above corresponding to your model fireplace. Note that for models MFP63 and MFP43ST, 8 inch high CMU blocks are required. All fireplaces require a 1/2" Cement Board to be installed between fireplace bottom and CMU blocks.
2. CMU blocks must be properly secured to flooring. Check with local codes prior to installation. Make sure the supporting floor is adequate to sustain the load of your completed fireplace including chimney stack and other structure surrounding it.