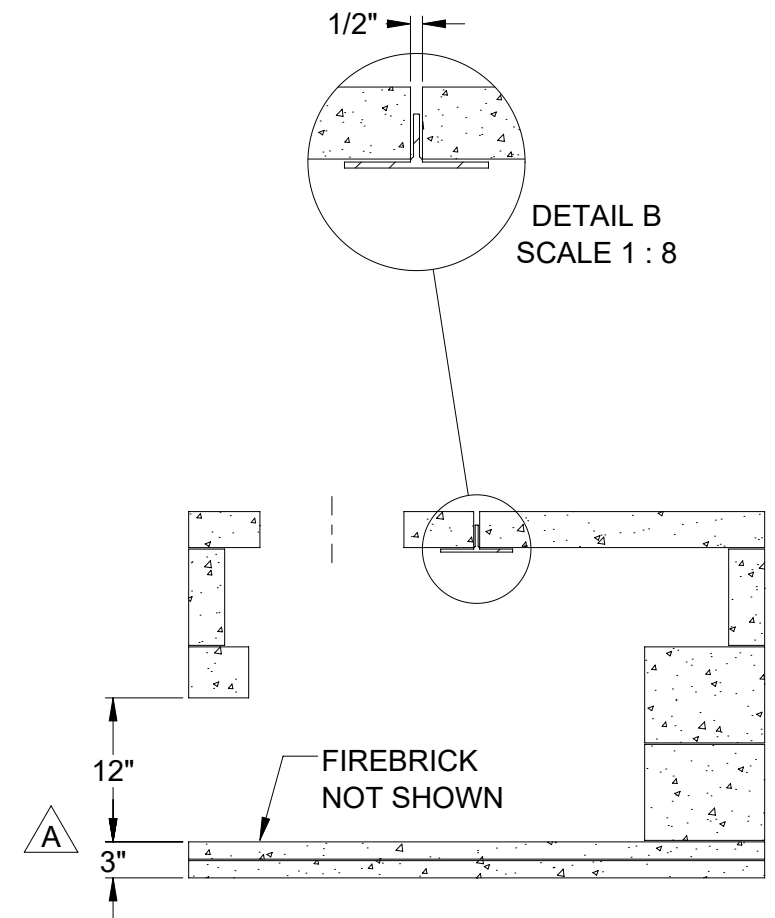
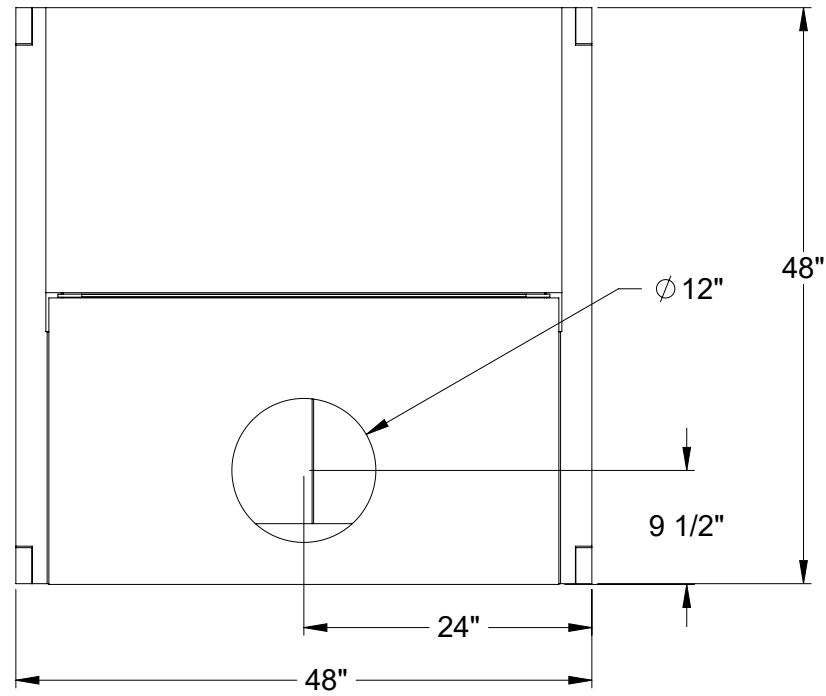
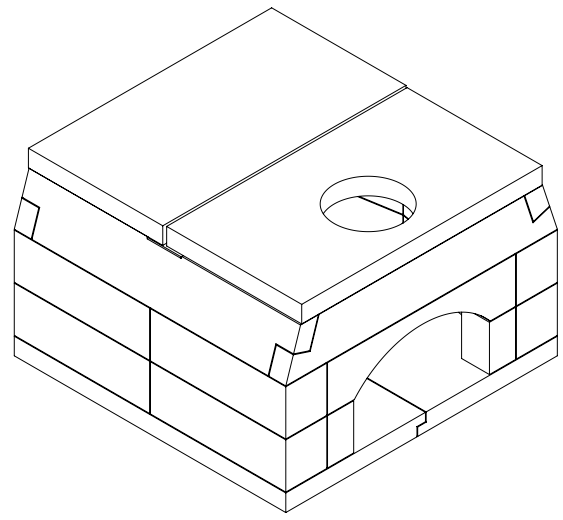
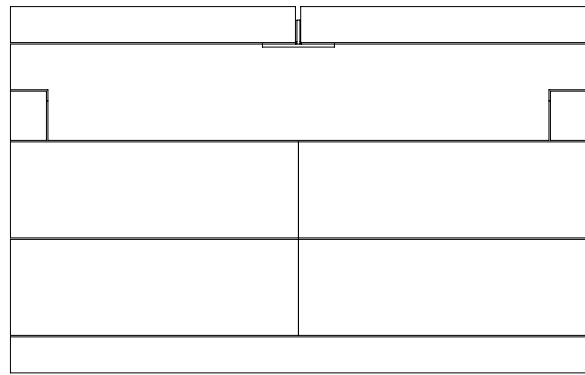
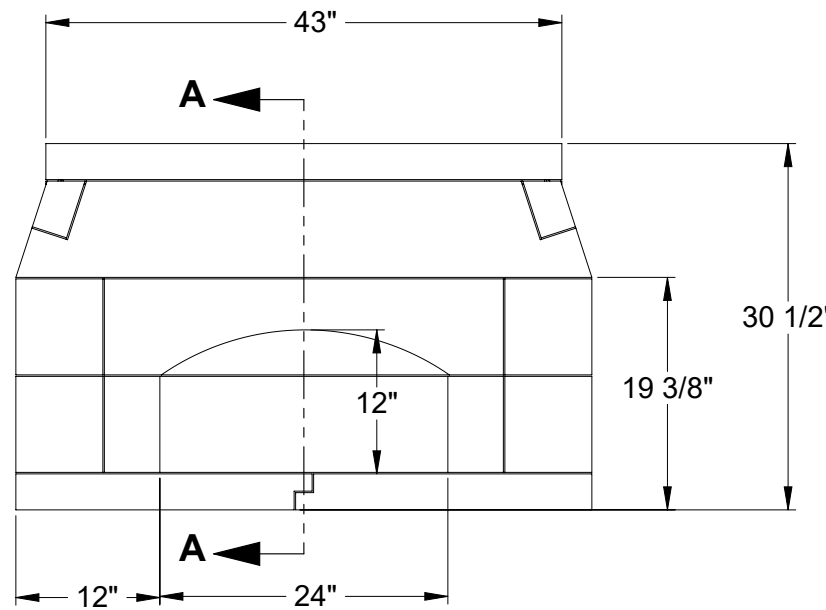


REV.	BY	DATE	ZONE	DESCRIPTION
A	CB	3/28/16	B-3	3" WAS 1-1/2"; ADD 12" CALLOUT AT FRONT VIEW



DETAIL B
SCALE 1 : 8

SECTION A-A



3RD ANGLE PROJECTION	TOLERANCES: FRACTIONS = ± 1/32" .XXX = ±.030 ANG = ±1.5° .XX = ±.060 ∅'s = ±.015	MFI <i>Masonry Fireplace Industries, LLC</i> RIVERSIDE, CA 92514	
NEXT ASSY:	DRAWN BY: Claudio	DATE: 3/28/2016	PART NAME: TOSCANA GOLIA PIZZA OVEN
FILE LOCATION: MPO-24 Toscana Golia Wood Fired Outdoor Oven	VOLUME: 18.6 cf	APPX WEIGHT: 1273.9 lb	DWG SZ: B SCALE: 1:16 PART No.: MPO-24 REV: A SHEET: 1 OF 1