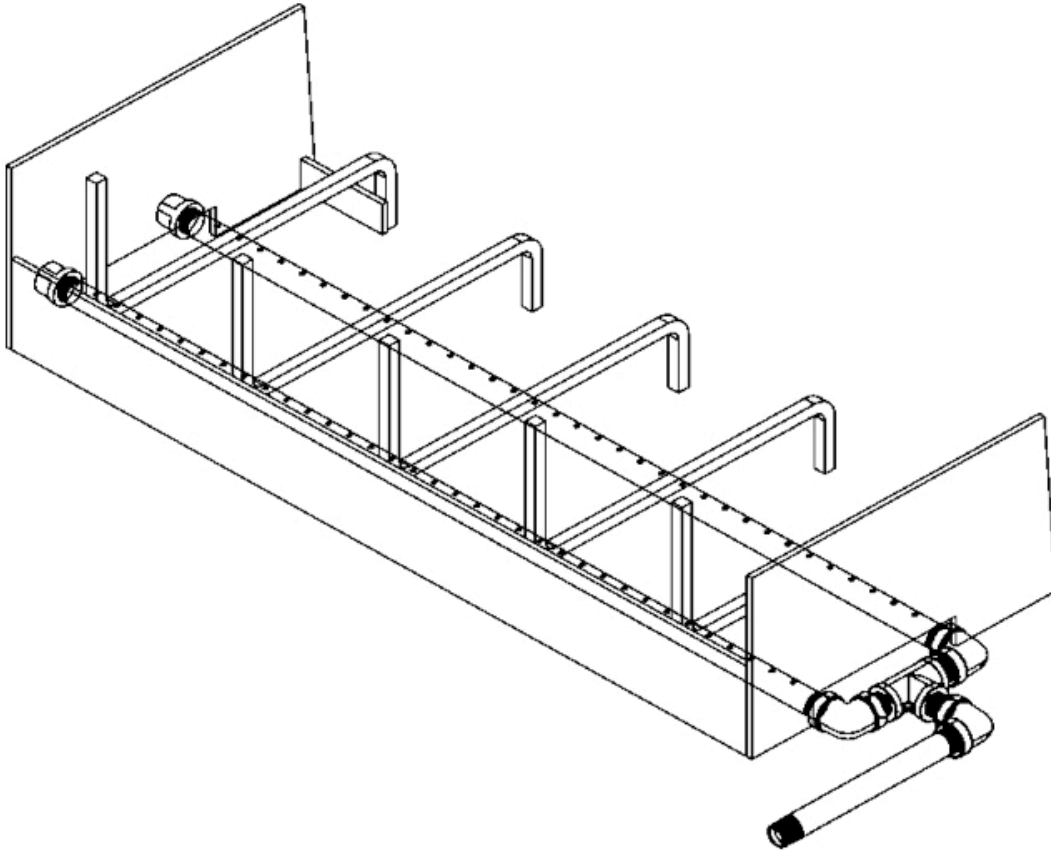


PureBurn Installation Instructions



WARNING :

If the information in these instructions is not followed exactly, a fire or explosion may result causing property damage, personal injury or death.

Do not store or use gasoline or other flammable vapors and liquids in the vicinity of this or any other appliance. **WHAT TO DO IF YOU SMELL GAS:** Do not try to light any appliance. Do not touch any electrical switch; do not use any phone in your building. Immediately call your gas supplier from a neighbor's phone and follow the gas supplier's instructions. If you cannot reach your gas supplier, call the fire department. Installation and service must be performed by a qualified installer, service agency, or the gas supplier

Installation Instructions

Important: Do not turn gas supply on until installation is complete and joints have been tested and have no leaks.

Step 1:

Slide burner and grate into firebox leaving approx. _____ inches from the rear firebrick. Open grate bars face the rear of the firebox(Figure 1). Make sure that the burner holes are facing up and are centered with the rear wall.

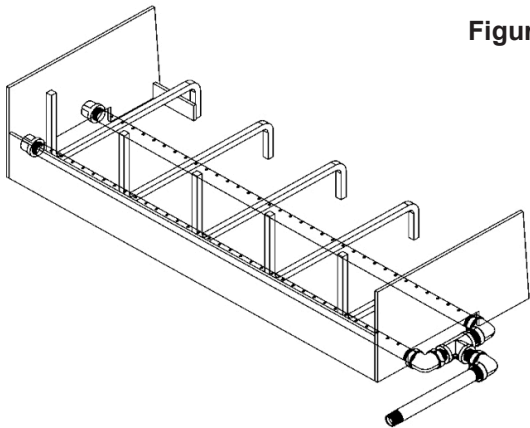
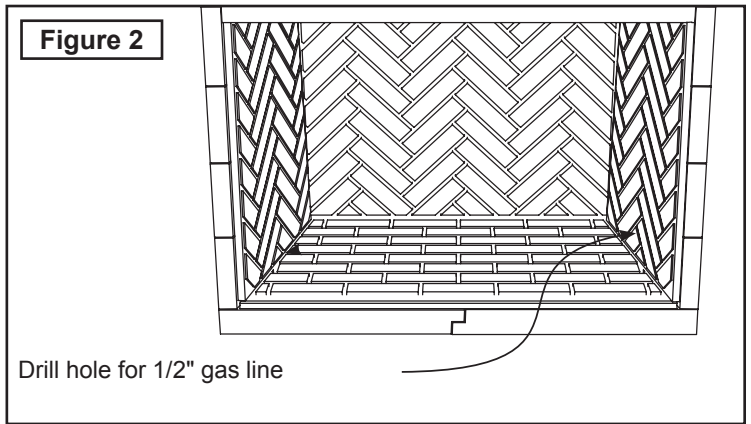


Figure 1

Step 2:

Mark the firebrick where the gas line will enter the unit. Remove burner and grate and drill hole for 1/2" flex gas line. (Insert instructions for left side installation).(Figure 2)



Step 3:

After hole is drilled for gas flex line. Side burner and grate back into place. Insert flex line through side wall and fire brick and attach to the burner.

Step 4:

Test all joints to be sure you have no leaks before you turn the gas supply on. **DO NOT USE AN OPEN FLAME TO CHECK FOR LEAKS.**

Operation Instructions

Important: Do not turn gas supply on until installation is complete and joints have been tested and have no leaks.

1. **Open chimney flue**
2. **Clean burn chamber and surrounding area of all debris, especially ashes that may contain hot coals from previous fires. Ashes should be placed in a metal container with tight-fitting lid. Do not place container on combustible materials until ashes have cooled or been removed from container. All cinders should be cooled thoroughly before disposal.**
3. **Be sure gas valve to the "off" position.**
4. **Place logs on the fireplace grate allowing sufficient air space between logs for quick lighting.**
5. **Light a long-stemmed fireplace match and hold it toward the center of the cast-iron burner ports.**
6. **Turn the log lighter valve "on" gradually until ignition occurs.**
7. **If burner does not light within 5 seconds, turn valve OFF, wait for five (5) minutes before trying again.**
8. **Keep gas supply running for the entirety of your fireplace use.**
9. **Turn gas supply off only after all wood has been burned.**

