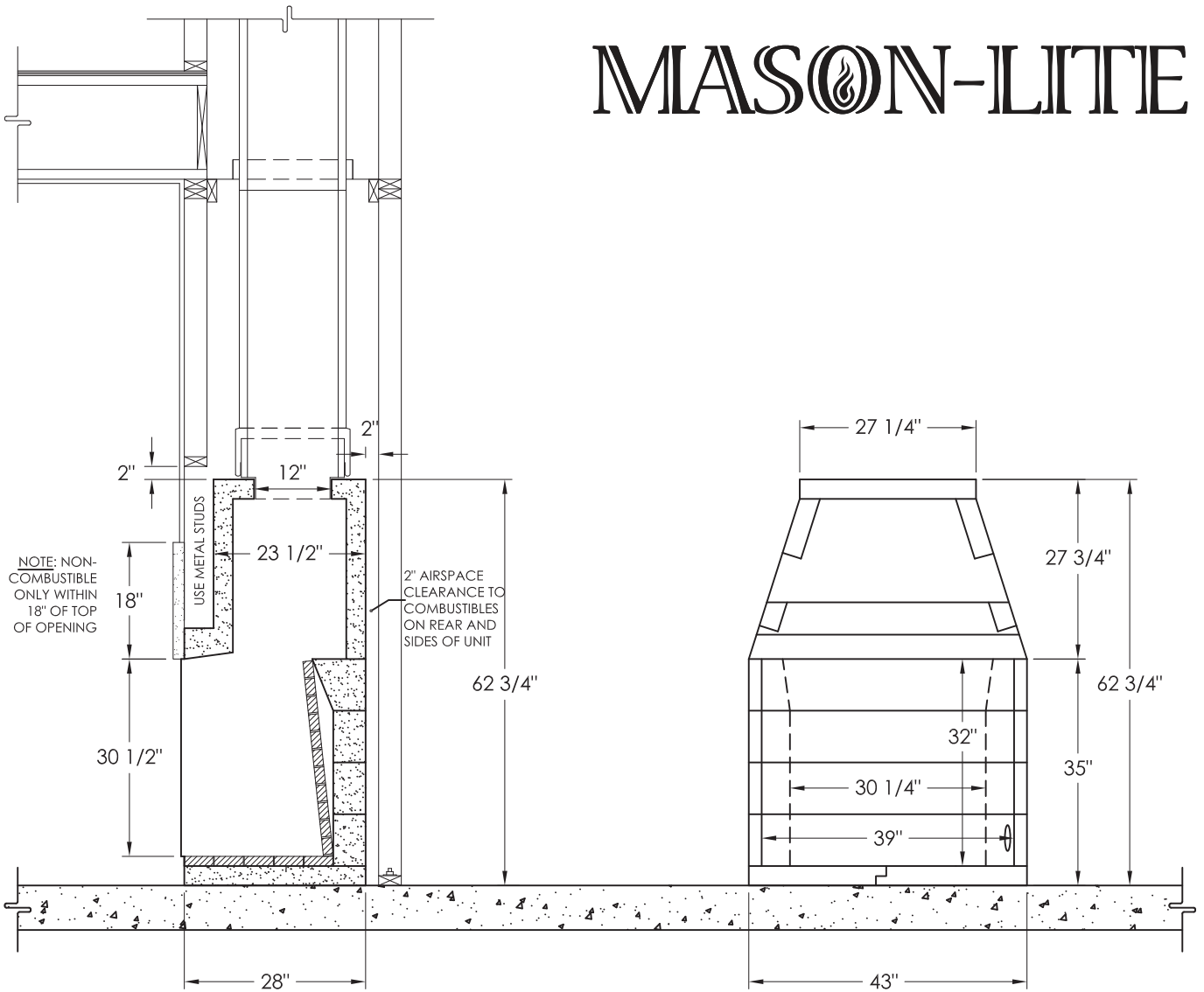


MASON-LITE

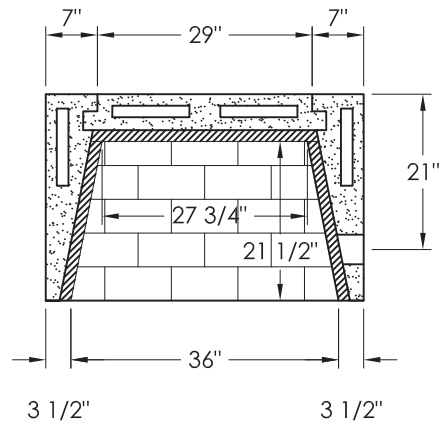


OTHER DIMENSIONS

Framing Width	47"
Framing Height	65"
Framing Depth	30"
Flue Size-Class A	12"
Weight	1260 lbs

ACCESSORIES

Herringbone Brick Liner	MFP39-SHBL
Full Running Bond Brick Liner	MFP39-FRBL
Structural Metal Base Kit - 6"	MFPB39
Anchor Plate/Damper	MFP12-AP
Combustion Air Kit	MFP4-AK
Masonry Arch	MFP-ARC



TITLE:

MFP39

DWG. NUMBER

RELEASE DATE

REV. DATE

S005

01/29/07

03/01/10