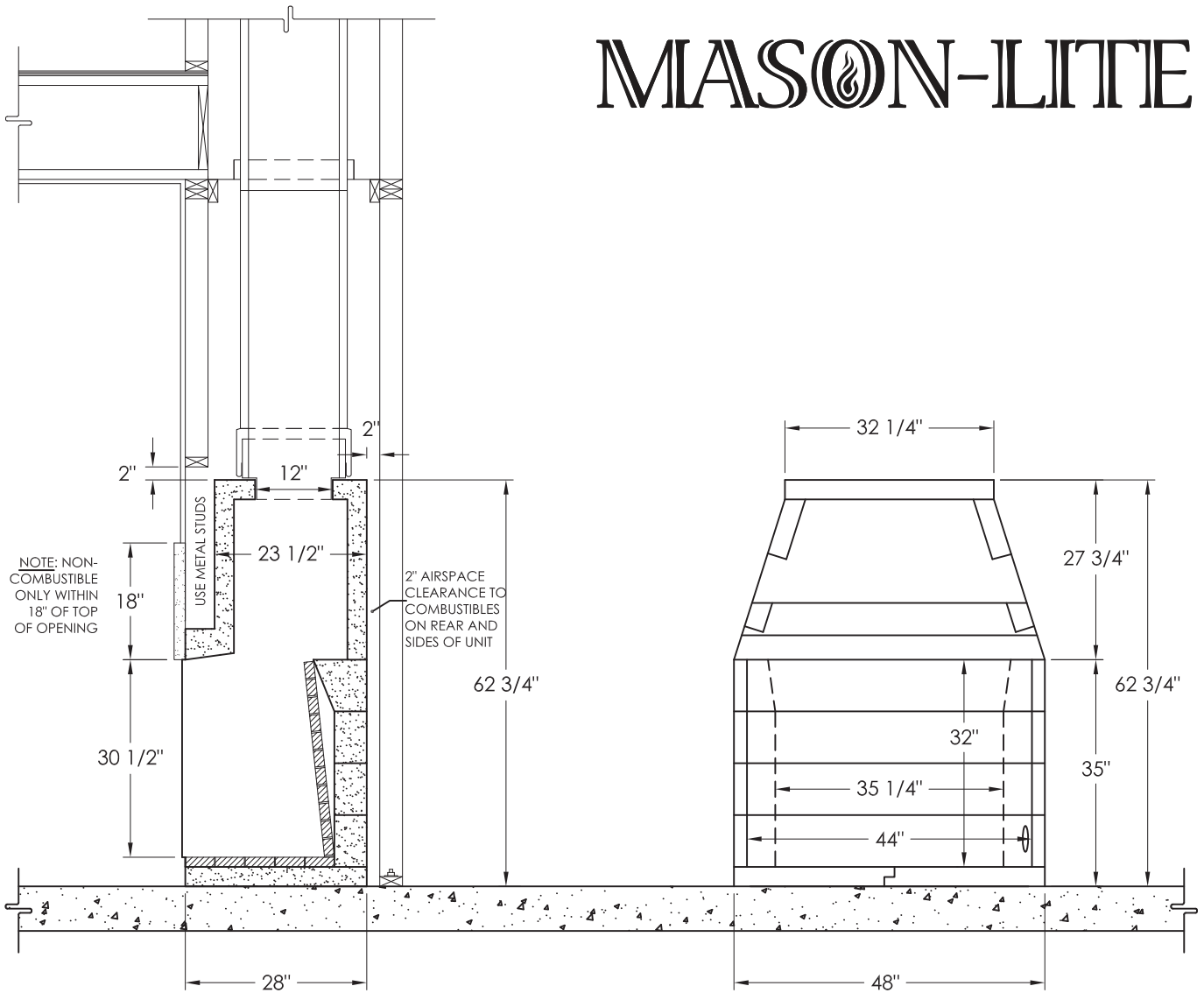


# MASON-LITE

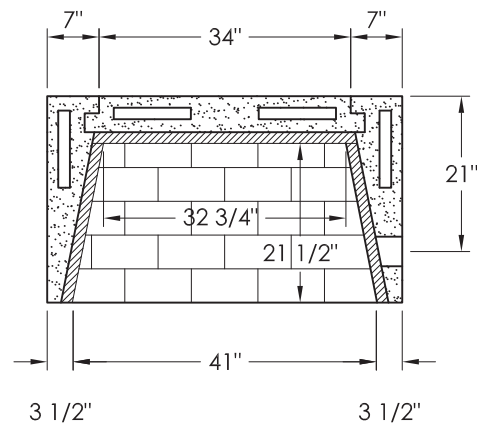


### OTHER DIMENSIONS

Framing Width	52"
Framing Height	65"
Framing Depth	30"
Flue Size-Class A	12"
Weight	1331 lbs

### ACCESSORIES

Herringbone Brick Liner	MFP44-SHBL
Full Running Bond Brick Liner	MFP44-FRBL
Structural Metal Base Kit - 6"	MFPB44
Anchor Plate/Damper	MFP12-AP
Combustion Air Kit	MFP4-AK
Masonry Arch	MFP-ARC



TITLE:

**MFP44**

DWG. NUMBER

RELEASE DATE

REV. DATE

**S003**

**01/29/07**

**03/01/10**