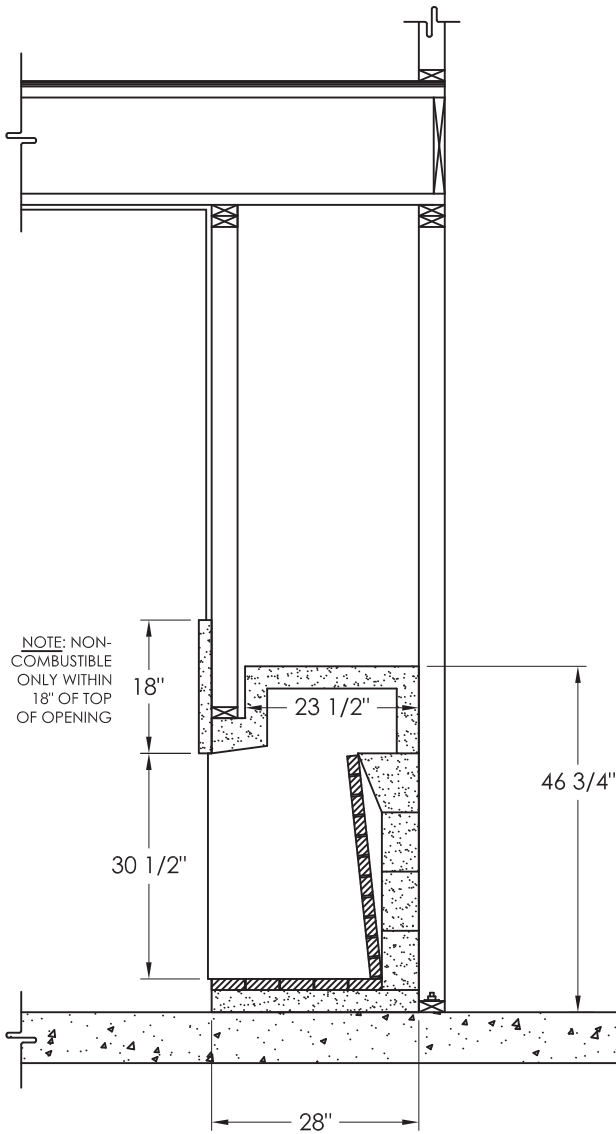
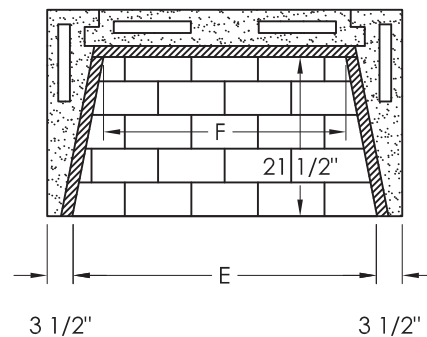
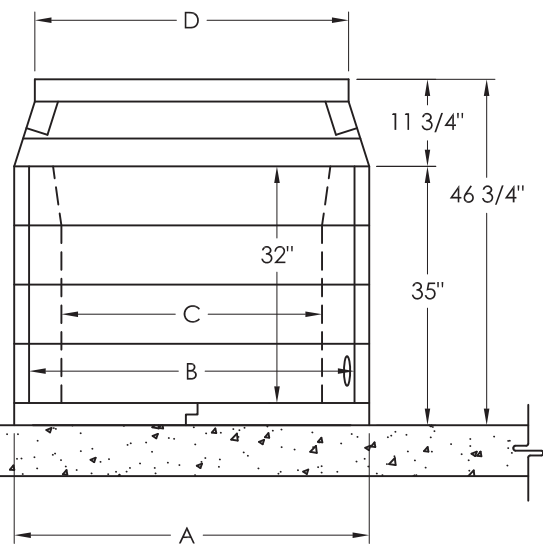


MASON-LITE



	A	B	C	D
MFP49VF	53"	49"	40 1/4"	47 1/2"
MFP44VF	48"	44"	35 1/4"	42 1/2"
MFP39VF	43"	39"	30 1/4"	37 1/2"



ACCESSORIES

MFP39

Herringbone Brick Liner MFP39-SHBL

Full Running Bond Brick Liner MFP39-FRBL

MFP44

Herringbone Brick Liner MFP44-SHBL

Full Running Bond Brick Liner MFP44-FRBL

MFP49

Herringbone Brick Liner MFP49-SHBL

Full Running Bond Brick Liner MFP49-FRBL

	E	F	Weight
MFP49VF	46"	37 1/4"	1001 lbs
MFP44VF	41"	32 1/4"	933 lbs
MFP39VF	36"	27 1/4"	845 lbs

TITLE:

Vent Free Systems

DWG. NUMBER

RELEASE DATE

REV. DATE

S007

01/29/07

03/01/10