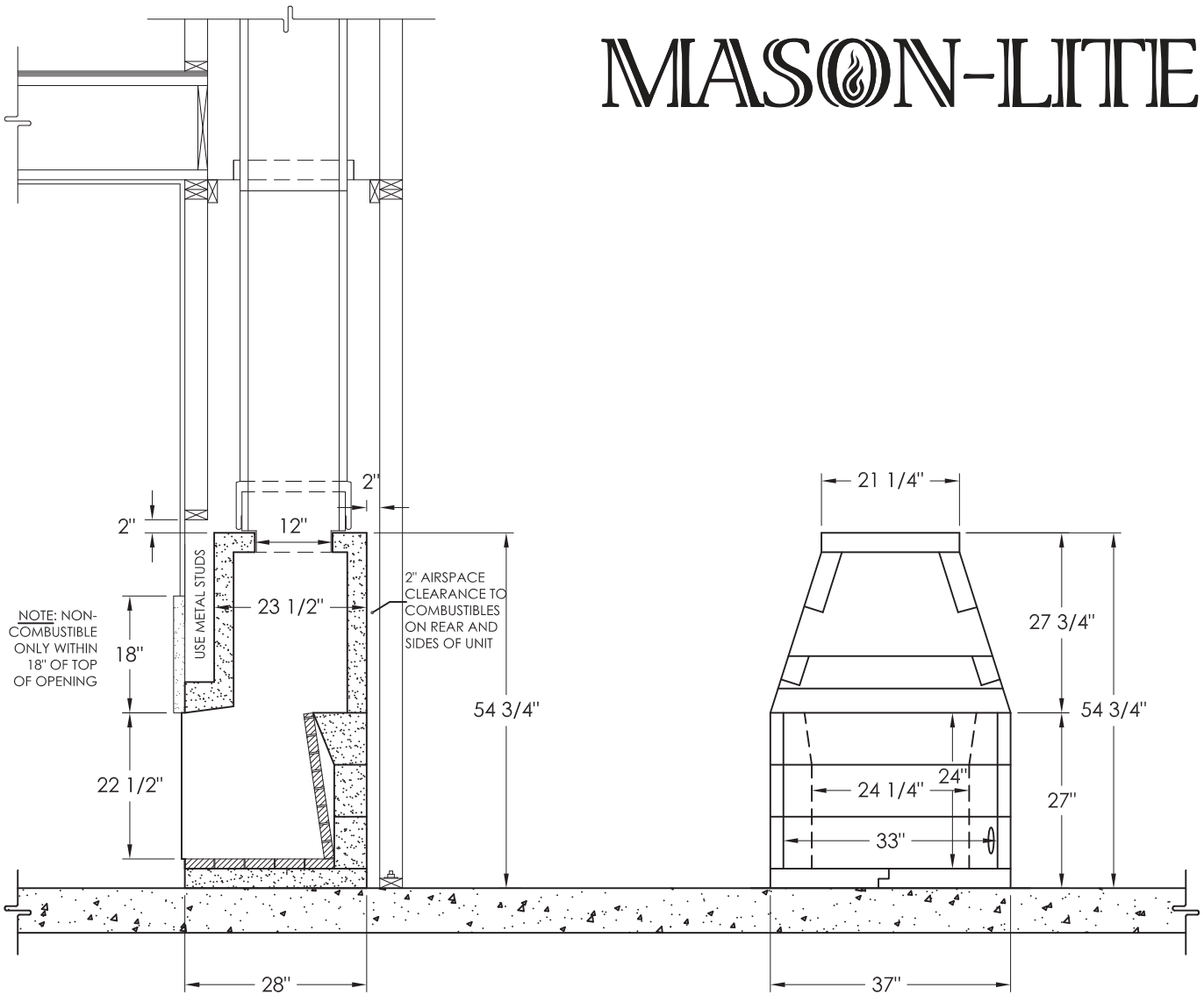
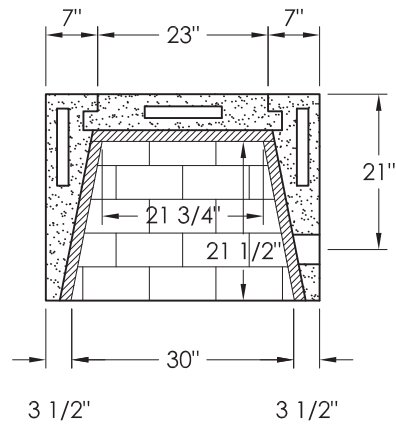


MASON-LITE



OTHER DIMENSIONS	
Framing Width	41"
Framing Height	57"
Framing Depth	30"
Flue Size-Class A	12"
Weight	835 lbs

ACCESSORIES	
Herringbone Brick Liner	MFP33-SHBL
Full Running Bond Brick Liner	MFP33-FRBL
Structural Metal Base Kit - 6"	MFPB33
Anchor Plate/Damper	MFP12-AP
Combustion Air Kit	MFP4-AK
Masonry Arch	MFP-ARC



TITLE:

MFP33

DWG. NUMBER

RELEASE DATE

REV. DATE

S006

04/05/09

N/A