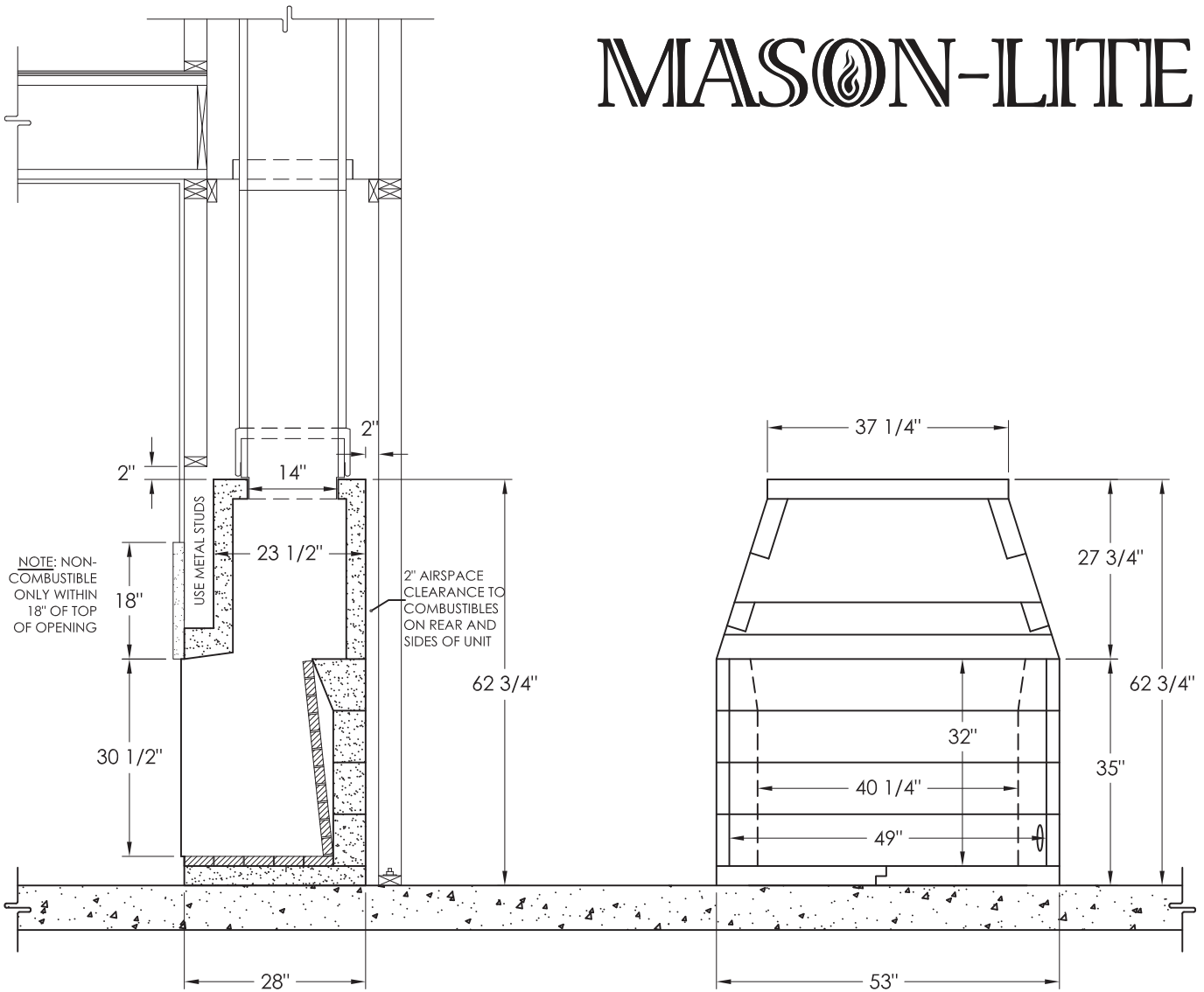


# MASON-LITE

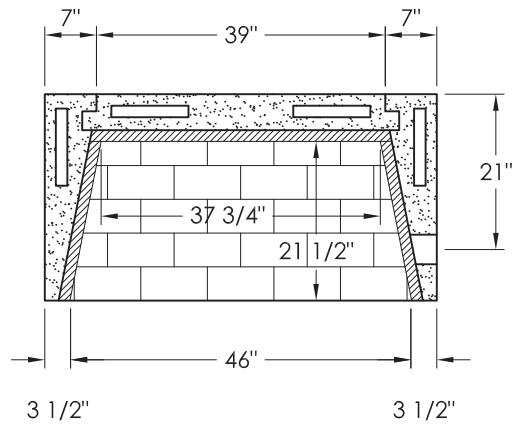


## OTHER DIMENSIONS

Framing Width	57"
Framing Height	65"
Framing Depth	30"
Flue Size-Class A	14"
Weight	1440 lbs

## ACCESSORIES

Herringbone Brick Liner	MFP49-SHBL
Full Running Bond Brick Liner	MFP49-FRBL
Structural Metal Base Kit - 6"	MFPB49
Combustion Air Kit	MFP4-AK
Masonry Arch	MFP-ARC



TITLE: <b>MFP49</b>		
DWG. NUMBER	RELEASE DATE	REV. DATE
<b>S002</b>	<b>10/23/07</b>	<b>03/01/10</b>