

Mason-Lite 10" B-Vent Series



OUR LIGHTWEIGHT, GAS-BURNING MASONRY FIREPLACES ARE TAKING THE HEARTH INDUSTRY BY STORM.

Complete with realistic logs, a remote control, and safety features, these fireplace systems are attractive on or off and have superior thermal output.

Available in 39", 44", and 49" units, our 10" B-vent systems add value and elegance to a home without the mess and hassle of old-fashioned, wood-burning fireplaces.

www.Mason-Lite.com/gas



MASON-LITE™

by MFI • Masonry Fireplace Industries, LLC

10" B-Vent Gas-Burning Series

Designed for easy, multi-floor installations, our light-weight masonry fireplace systems meet all necessary U.S. building codes for outdoor / indoor construction.

Features and Benefits:

- A fireplace system complete with a set of R.H. Peterson "Real-Fyre" realistic gas logs, designed with rich detail to replicate the natural beauty of wood
- Clean and Environmentally Friendly: Gas-burning fireplaces have lower outputs of carbon monoxide, pollutants, and particulate matter compared to wood-burners
- Convenient, No-Mess Operation: Free from sparks and long-burning embers, no chimney cleaning, no messy ashes or wood chips, no wood storage space needed
- Superior Warmth in Three Sizes: *
 - MGFP39 (39"): 65,000 BTU's (natural gas)
 - MGFP44 (44"): 65,000 BTU's (natural gas)
 - MGFP49 (49"): 80,000 BTU's (natural gas)
 * Also available for Propane
- Smaller Flue (10" instead of 14") for reduced framing requirements. Architects love it!
- Compliant with ANSI-Z 21.50 gas fireplace standard
- Handheld remote control for turning the gas on or off
- Electronic ignition with battery backup
- Safety shutoff feature for fail-safe operation
- Utilizes industry standard 10" B-Vent chimney
- Optional firebrick colors and patterns for an authentic fireplace look-and-feel

MASON-LITE™

by MFI • Masonry Fireplace Industries, LLC

Web: www.Mason-Lite.com/gas

Email: info@mason-lite.com

MFI Masonry
Fireplace
Industries, LLC

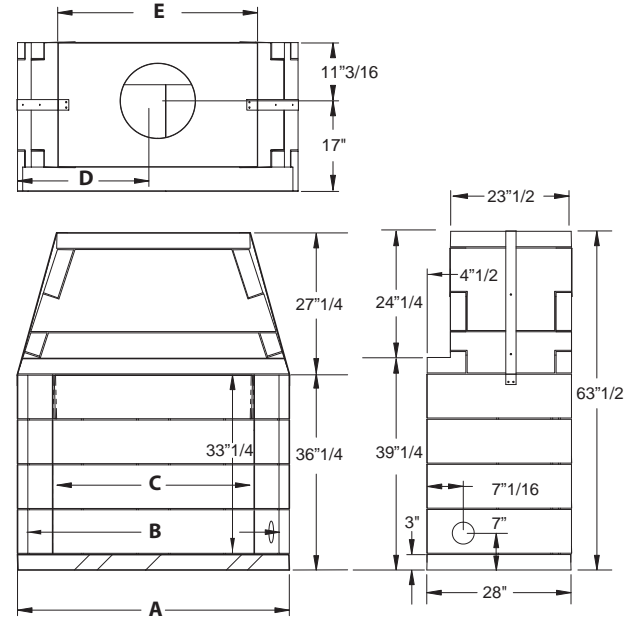
315 W. Third Street
Santa Ana, CA 92701

Tel: 800.345.7078

Fax: 714.972.4599

Product Specifications

(Three firebox sizes available)



Nominal Sizes

MODEL	A	B	C	D	E
MGFP 39	43"	39"	30" 1/4	21" 1/2	27" 3/4
MGFP 44	48"	44"	35" 1/4	24"	32" 3/4
MGFP 49	53"	49"	40" 1/4	26" 1/2	37" 3/4

* Dimensions are nominal due to grout joint differences. Please refer to instruction manual for framing clearance specifics. The instruction manual can be found at www.Mason-Lite.com/resources.php

Optional Mason-Lite Brick Panels



Full Running Bond



Split Herringbone

AUTHORIZED DEALER