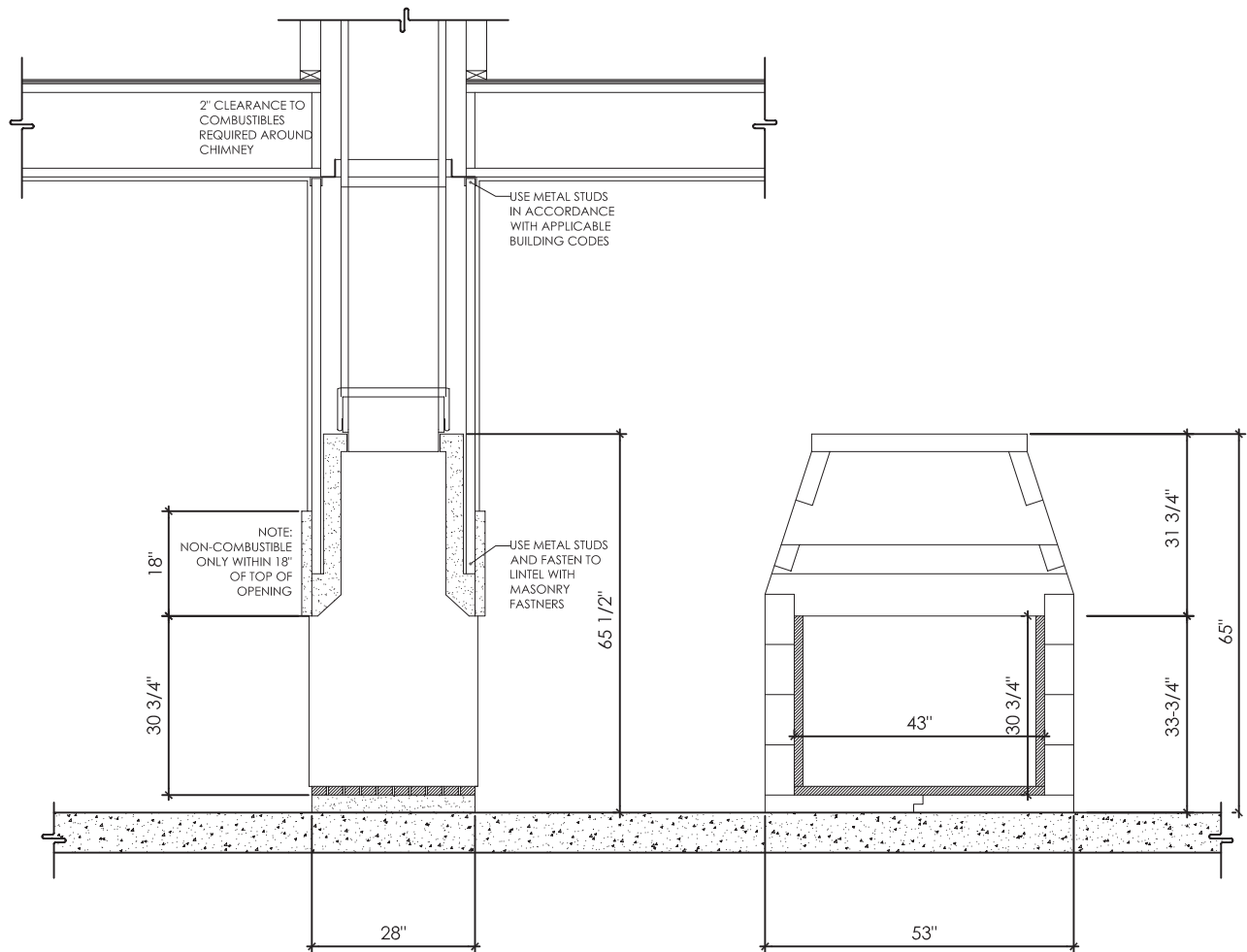
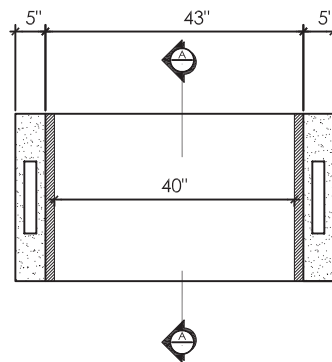


MASON-LITE



SECTION A-A



PLAN

TITLE: MFP43ST-43"			
DWG. NUMBER	RELEASE DATE	REV. DATE	APPROVED
S004	11/11/08	02/10/09	BH