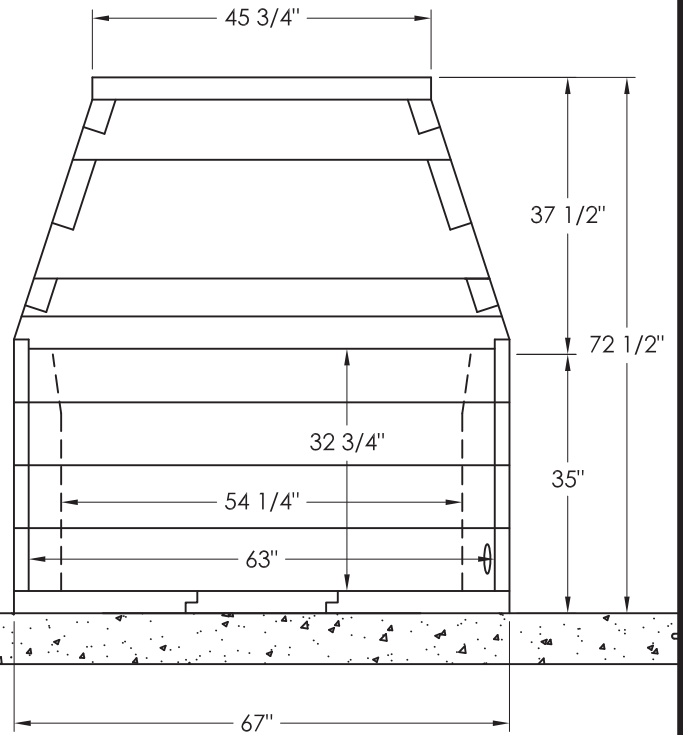
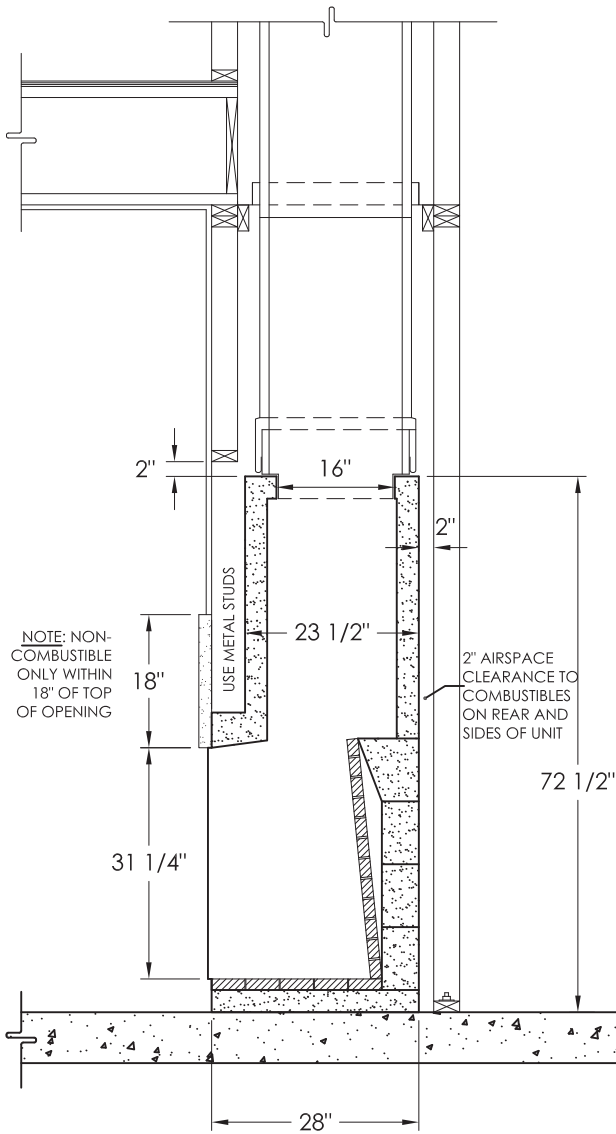


# MASON-LITE

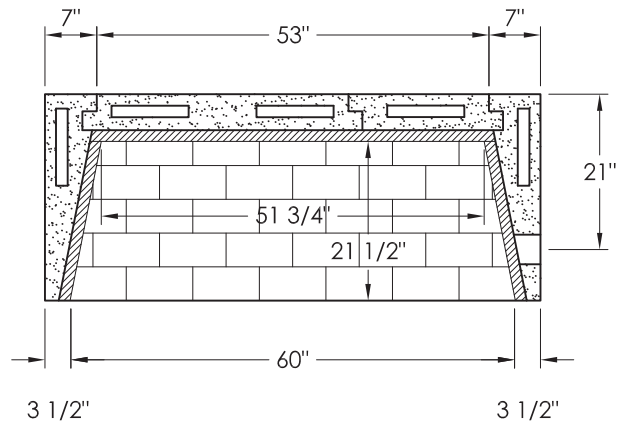


## OTHER DIMENSIONS

Framing Width	71"
Framing Height	74"
Framing Depth	30"
Flue Size-Class A	16"
Weight	1704 lbs

## ACCESSORIES

Herringbone Brick Liner	MFP63-SHBL
Full Running Bond Brick Liner	MFP63-FRBL
Structural Metal Base Kit 8"	MFPB63
Combustion Air Kit	MFP4-AK
Masonry Arch	MFP-ARC63



TITLE:

**MFP63**

DWG. NUMBER

RELEASE DATE

REV. DATE

**S001**

**07/16/08**

**N/A**